



## Bottle Art Layout Template for PB-24002

- Email approval to: [Art@PacBlueLine.com](mailto:Art@PacBlueLine.com)
- See all of our products and color options at [www.PacBlueLine.com](http://www.PacBlueLine.com)

Company: \_\_\_\_\_

Contact: \_\_\_\_\_

Tele: \_\_\_\_\_

Email: \_\_\_\_\_

Bottle Color(s): \_\_\_\_\_

Lid Style: \_\_\_\_\_

Lid Color(s): \_\_\_\_\_

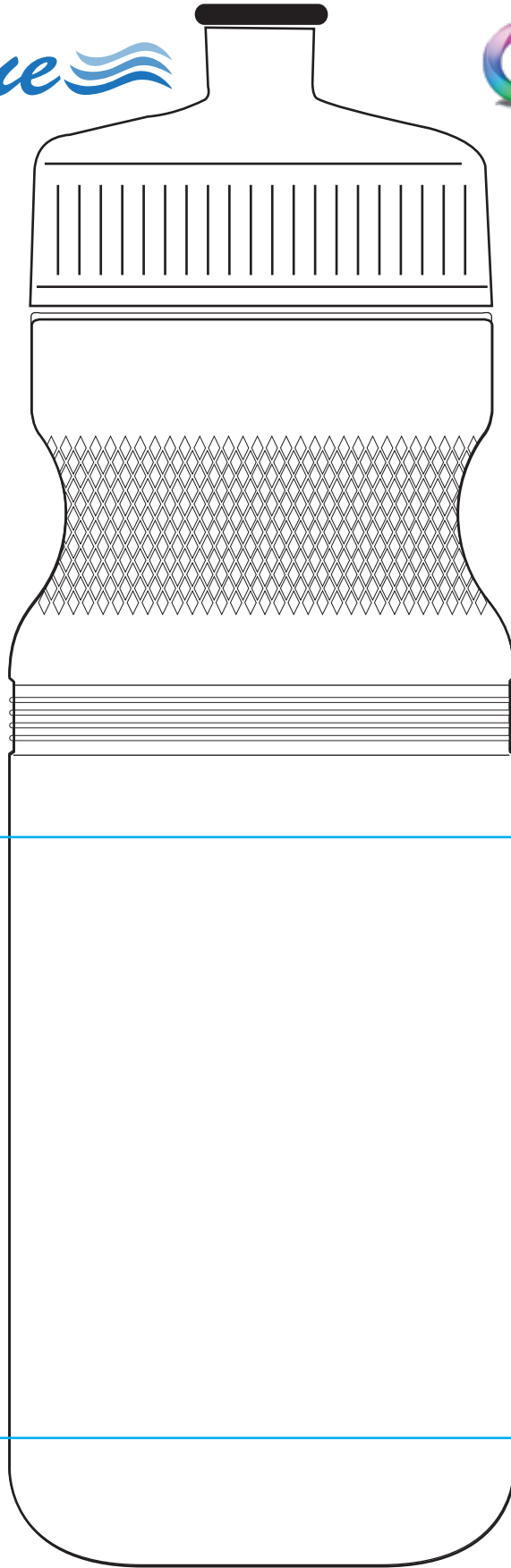
Ink Color(s): \_\_\_\_\_

Requested In-Hands Date \_\_\_\_\_

Special Instructions:  
\_\_\_\_\_  
\_\_\_\_\_  
\_\_\_\_\_

*Note: Check this proof very carefully. Not just the art elements, but for spelling errors, phone numbers, addresses, etc.*

*Once approved, all errors will be your responsibility.*



Imprint Size:  
2 Side Imprint  
3.5" h x 4" w  
WrapAround Imprint  
3.5" h x 8.5" w

