

# Pacific Blue

## Bottle Art Layout Template for PB-24001, PB-24003

Email approval to: [Art@PaciBlueLine.com](mailto:Art@PaciBlueLine.com)  
See all of our products and color options at  
[www.PacBlueLine.com](http://www.PacBlueLine.com)

Note: PB-24002 uses a different Art Template:

Company: \_\_\_\_\_

\_\_\_\_\_

Contact: \_\_\_\_\_

Tele: \_\_\_\_\_

Email: \_\_\_\_\_

Bottle Color(s): \_\_\_\_\_

\_\_\_\_\_

Lid Style: \_\_\_\_\_

Lid Color(s): \_\_\_\_\_

\_\_\_\_\_

Ink Color(s): \_\_\_\_\_

\_\_\_\_\_

Requested

In-Hands Date \_\_\_\_\_

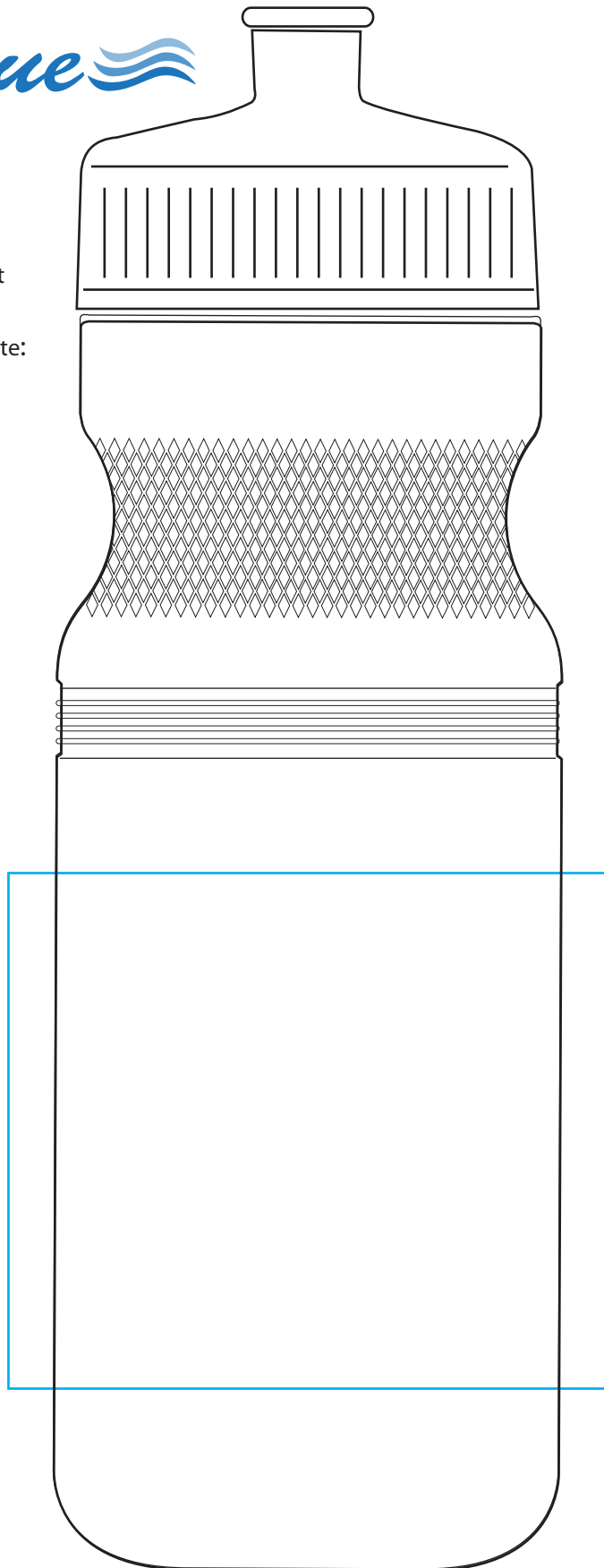
Special Instructions:

\_\_\_\_\_

\_\_\_\_\_

*Note: Check this proof very carefully.  
Not just the art elements, but for  
spelling errors, phone numbers,  
addresses, etc.*

*Once approved, all errors will be  
your responsibility.*



Imprint Size:  
2 Side Imprint  
3" h x 3.5" w

