

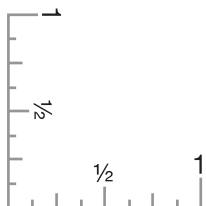
Bottle Art Layout Template for 36002

Bottle Color(s): _____

Lid Style: _____

Lid Color(s): _____

Ink Color(s): _____

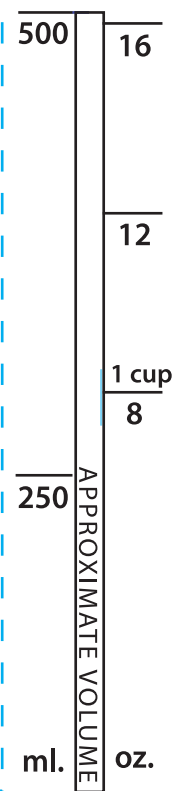
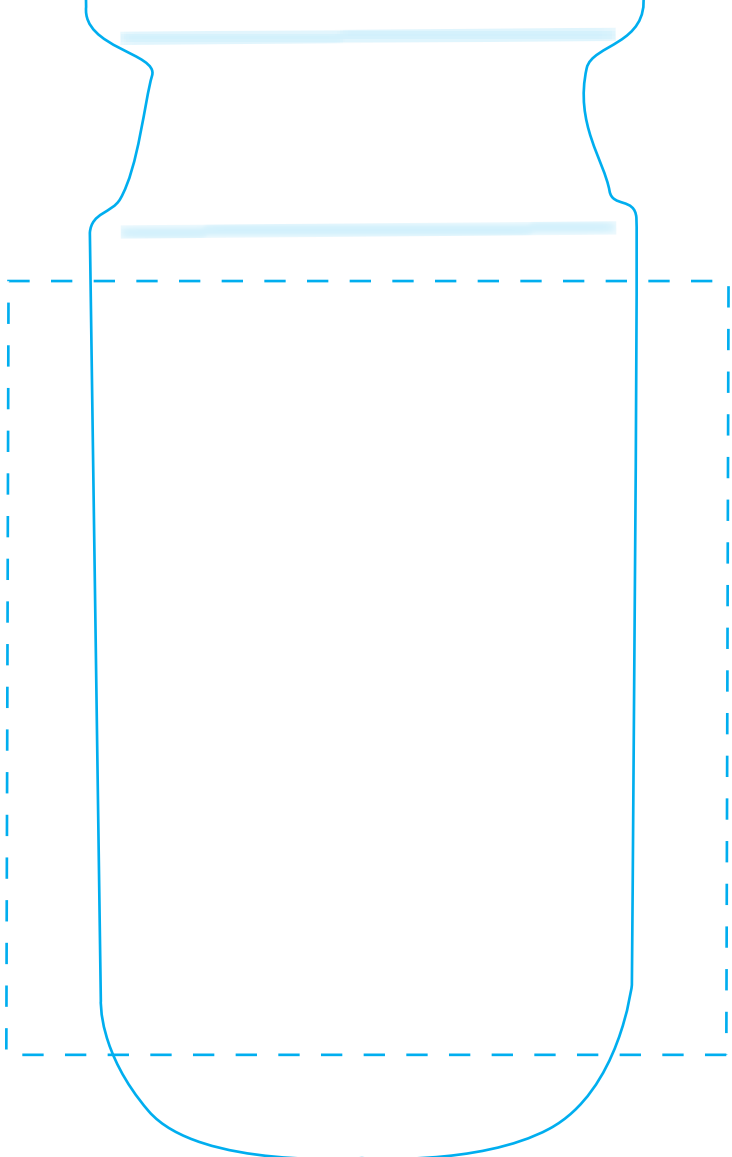
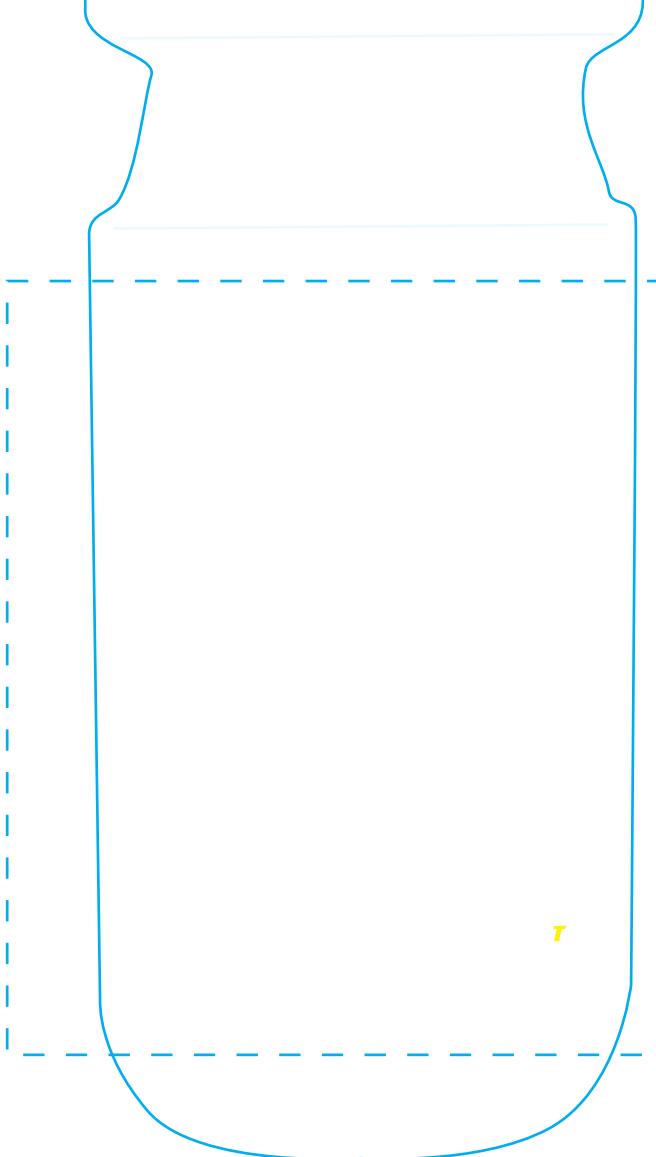
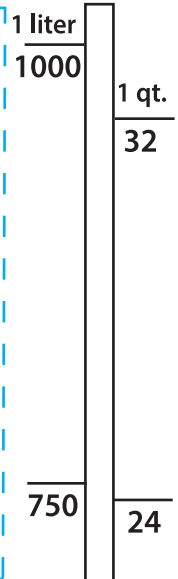
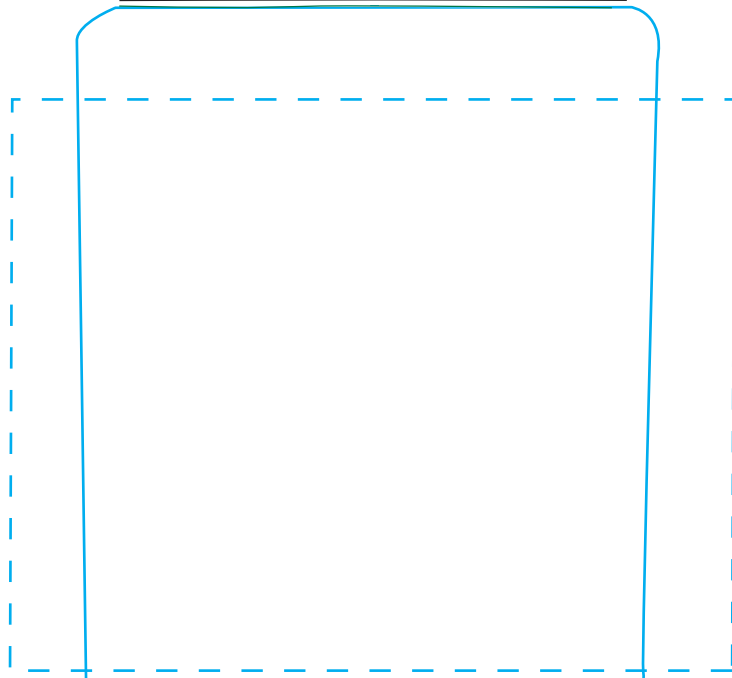
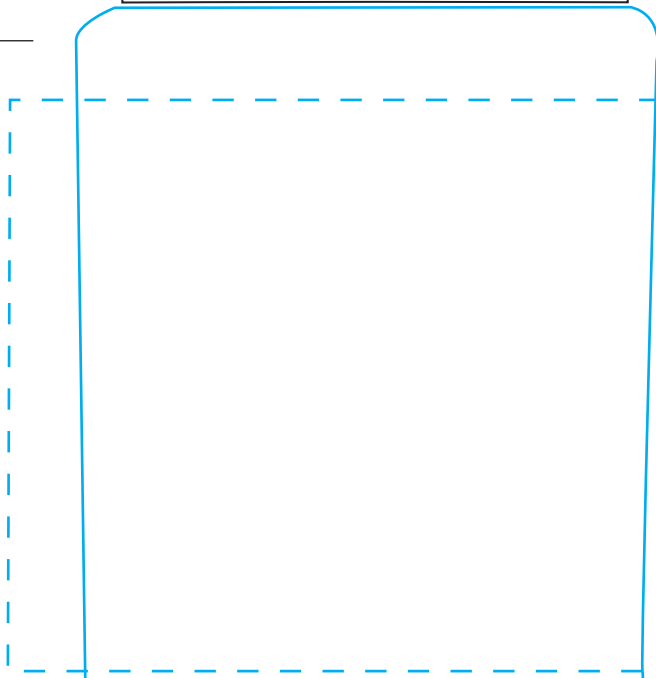
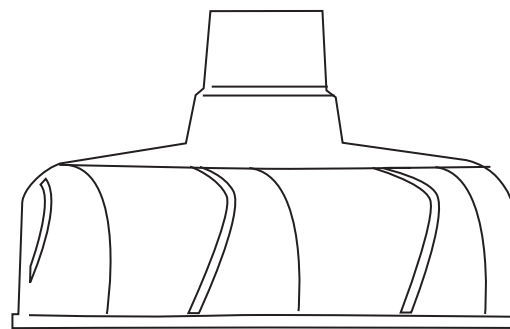
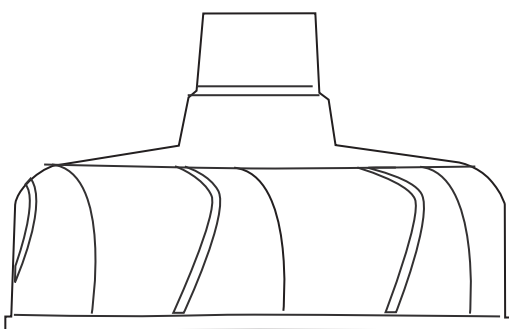


Imprint Size:

2 Side Imprint

Upper - 3" h x 4.25" w

Lower - 3.75" h x 4" w



Note: Check this proof very carefully. Not just the art elements, but for spelling errors, phone numbers, addresses, etc.

Once approved, all errors will be your responsibility.